

## DN6.65x - 48 channel 16 bit generatorNETBOX up to 125 MS/s

- 24, 32, 40 or 48 channels with 40 MS/s up to 125 MS/s
- Simultaneous arbitrary generation on all channels
- Output level  $\pm 3.0\text{ V}$  into  $50\ \Omega$  ( $\pm 6\text{ V}$  into high-impedance loads)
- Fixed trigger to output delay
- Large 64 MSample per channel internal memory
- FIFO mode continuous streaming output
- Modes: Single-Shot, Loop, FIFO, Sequence Replay Mode, Gated, ...

Digital Pulse Generator FPGA Option: 4 independent digital pulses with programmable high, low, delay, loop on multi-purpose I/O lines X0 to X3



**LXI**  
LAN eXtensions for Instrumentation

- Ethernet Remote Instrument
- LXI Core 2011 compatible
- GBit Ethernet Interface
- Sustained streaming mode up to 100 MB/s
- Direct Connection to PC/Laptop
- Connect anywhere in company LAN
- Embedded Webserver for Maintenance/Updates
- Embedded Server option for open Linux platform

<b>Operating Systems</b>	<b>SBench 6 Professional Included</b>	<b>Drivers</b>
<ul style="list-style-type: none"> <li>• Windows 7 (SP1), 8, 10, Server 2008 R2 and newer</li> <li>• Linux Kernel 2.6, 3.x, 4.x, 5.x</li> <li>• Windows/Linux 32 and 64 bit</li> </ul>	<ul style="list-style-type: none"> <li>• Acquisition, Generation and Display of analog and digital data</li> <li>• Calculation, FFT</li> <li>• Documentation and Import, Export</li> </ul>	<ul style="list-style-type: none"> <li>• LabVIEW, MATLAB, LabWindows/CVI</li> <li>• C/C++, GNU C++, VB.NET, C#, J#, Delphi, Java, Python</li> <li>• IVI</li> </ul>

Model	Analog output channels		Output Level		Internal	
	Channels	Speed	in $50\ \Omega$	in $1\ \text{M}\Omega$	Star-Hub	Modules
DN6.653-24	24	40 MS/s	$\pm 3\text{ V}$	$\pm 6\text{ V}$	yes	3
DN6.653-32	32	40 MS/s	$\pm 3\text{ V}$	$\pm 6\text{ V}$	yes	4
DN6.653-40	40	40 MS/s	$\pm 3\text{ V}$	$\pm 6\text{ V}$	yes	5
DN6.653-48	48	40 MS/s	$\pm 3\text{ V}$	$\pm 6\text{ V}$	yes	6
DN6.656-24	12	125 MS/s	$\pm 3\text{ V}$	$\pm 6\text{ V}$	yes	3
	24	80 MS/s				
DN6.656-32	16	125 MS/s	$\pm 3\text{ V}$	$\pm 6\text{ V}$	yes	4
	32	80 MS/s				
DN6.656-40	20	125 MS/s	$\pm 3\text{ V}$	$\pm 6\text{ V}$	yes	5
	40	80 MS/s				
DN6.656-48	24	125 MS/s	$\pm 3\text{ V}$	$\pm 6\text{ V}$	yes	6
	48	80 MS/s				

### General Information

The general purpose Ethernet-AWG series generatorNETBOX DN6.65x allows generation of arbitrary signals on up to 48 channels in parallel. These Ethernet Remote instruments offer outstanding D/A features both in resolution and signal quality. The combination of high sampling rate and resolution makes these AWGs the top-of-the-range for applications that require high quality signal generation. The generatorNETBOX can be installed anywhere in the company LAN and can be remotely controlled from a host PC.

## Software Support

### Windows Support

The digitizerNETBOX/generatorNETBOX/hybridNETBOX can be accessed from Windows 7, Windows 8, Windows 10 (either 32 bit or 64 bit). Programming examples for Visual C++, C++ Builder, LabWindows/CVI, Delphi, Visual Basic, VB.NET, C#, Julia, Python, Java and IVI are included.

### Linux Support



The digitizerNETBOX/generatorNETBOX/hybridNETBOX can be accessed from any Linux system. The Linux support includes SMP systems, 32 bit and 64 bit systems, versatile programming examples for Gnu C++, Python, Julia as well as drivers for MATLAB for Linux. SBench 6, the powerful data acquisition and analysis software from Spectrum is also included as a Linux version.

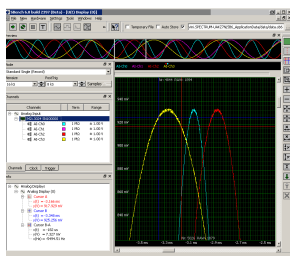
### Discovery Protocol

Physical Location	
Bus No	0
Device No	0
Function No	0
Slot No	0
IP	192.168.169.14
VISA	TCPIP[0]:192.168.169.14:inst0:INSTR

The Discovery function helps you to find and identify any Spectrum LXI instruments, like the digitizerNETBOX and generatorNETBOX, available to your computer on the network. The Discovery function will also locate any Spectrum card products that are managed by an installed Spectrum Remote Server somewhere on the network.

After running the discovery function the card information is cached and can be directly accessed by SBench 6. Furthermore the qualified VISA address is returned and can be used by any software to access the remote instrument.

### SBench 6 Professional



The digitizerNETBOX, generatorNETBOX and hybridNETBOX can be used with Spectrum's powerful software SBench 6 – a Professional license for the software is already installed in the box. SBench 6 supports all of the standard features of the instrument. It has a variety of display windows as well as analysis, export and documentation functions.

- Available for Windows 7, Windows 8, Windows 10 and Linux
- Easy to use interface with drag and drop, docking windows and context menus
- Display of analog and digital data, X-Y display, frequency domain and spread signals
- Designed to handle several GBytes of data
- Fast data preview functions

### IVI Driver

The IVI standards define an open driver architecture, a set of instrument classes, and shared software components. Together these provide critical elements needed for instrument interchangeability. IVI's defined Application Programming Interfaces (APIs) standardize common measurement functions reducing the time needed to learn a new IVI instrument.

The Spectrum products to be accessed with the IVI driver can be locally installed data acquisition cards, remotely installed data acquisition cards or remote LXI instruments like digitizerNETBOX/generatorNETBOX. To maximize the compatibility with existing IVI based software installations, the Spectrum IVI

driver supports IVI Scope, IVI Digitizer and IVI FGen class with IVI-C and IVI-COM interfaces.

### Third-party Software Products

Most popular third-party software products, such as LabVIEW, MATLAB or LabWindows/CVI are supported. All drivers come with examples and detailed documentation.

### Embedded Webserver



The integrated webserver follows the LXI standard and gathers information on the product, set up of the Ethernet configuration and current status. It also allows the setting of a configuration password, access to documentation and updating of the complete instrument firmware, including the embedded remote server and the webserver.

### Hardware features and options

#### LXI Instrument



The digitizerNETBOX and generatorNETBOX are fully LXI instrument compatible to LXI Core 2011 following the LXI Device Specification

2011 rev. 1.4. The digitizerNETBOX/generatorNETBOX has been tested and approved by the LXI Consortium.

Located on the front panel is the main on/off switch, LEDs showing the LXI and Acquisition status and the LAN reset switch.

#### Front Panel



Standard BNC connectors are used for all analog input or output signals and all auxiliary signals like clock and trigger. No special adapter cables are needed and the connection is secure even when used in a moving environment.

Custom front panels are available on request even for small series, be it SMA, LEMO connectors or custom specific connectors.

#### Ethernet Connectivity



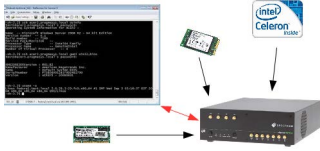
The GBit Ethernet connection can be used with standard COTS Ethernet cabling. The integration into a standard LAN allows to connect the digitizerNETBOX/generatorNETBOX either directly to a desktop PC or Laptop or it is possible to place the instrument somewhere in the

company LAN and access it from any desktop over the LAN.

#### Boot on Power Option

The digitizerNETBOX/generatorNETBOX can be factory configured to automatically start and boot upon availability of the input power rail. That way the instrument will automatically become available again upon loss of input power.

## Option Embedded Server



The option turns the digitizerNETBOX/generatorNETBOX in a powerful PC that allows to run own programs on a small and remote data acquisition system. The digitizerNETBOX/generatorNETBOX is enhanced by more memory, a powerful CPU, a freely accessible internal SSD and a remote software development access method.

The digitizerNETBOX/generatorNETBOX can either run connected to LAN or it can run totally independent, storing data to the internal SSD. The original digitizerNETBOX/generatorNETBOX remote instrument functionality is still 100 % available. Running the embedded server option it is possible to pre-calculate results based on the acquired data, store acquisitions locally and to transfer just the required data or results parts in a client-server based software structure. A different example for the digitizerNETBOX/generatorNETBOX embedded server is surveillance/logger application which can run totally independent for days and send notification emails only over LAN or offloads stored data as soon as it's connected again.

Access to the embedded server is done through a standard text based Linux shell based on the ssh secure shell.

## Singleshot output

When singleshot output is activated the data of the on-board memory is played exactly one time. The trigger source can be either one of the external trigger inputs or the software trigger. After the first trigger additional trigger events will be ignored.

## Repeated output

When the repeated output mode is used the data of the on-board memory is played continuously for a programmed number of times or until a stop command is executed. The trigger source can be either one of the external trigger inputs or the software trigger. After the first trigger additional trigger events will be ignored.

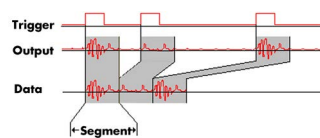
## Single Restart replay

When this mode is activated the data of the on-board memory will be replayed once after each trigger event. The trigger source can be either the external TTL trigger or software trigger.

## FIFO mode

The FIFO mode is designed for continuous data transfer between PC memory or hard disk and the generation board. The control of the data stream is done automatically by the driver on an interrupt request basis. The complete installed on-board memory is used for buffering data, making the continuous streaming extremely reliable.

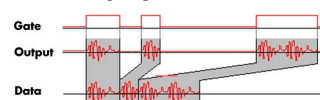
## Multiple Replay



The Multiple Replay mode allows the fast output generation on several trigger events without restarting the hardware. With this option very fast repetition rates can be achieved.

The on-board memory is divided into several segments of the same size. Each segment can contain different data which will then be played with the occurrence of each trigger event.

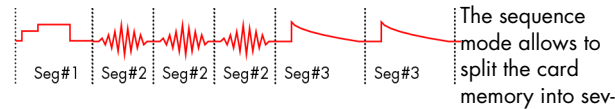
## Gated Replay



The Gated Sampling mode allows data replay controlled by an external gate signal. Data is only replayed if the

gate signal has attained a programmed level.

## Sequence Mode



These data segments are chained up in a user chosen order using an additional sequence memory. In this sequence memory the number of loops for each segment can be programmed and trigger conditions can be defined to proceed from segment to segment. Using the sequence mode it is also possible to switch between replay waveforms by a simple software command or to redefine waveform data for segments simultaneously while other segments are being replayed. All trigger-related and software-command-related functions are only working on single cards, not on star-hub-synchronized cards.

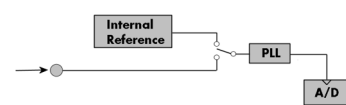
## External trigger input

All boards can be triggered using up to two external analog or digital signals. One external trigger input has two analog comparators that can define an edge or window trigger, a hysteresis trigger or a rearm trigger. The other input has one comparator that can be used for standard edge and level triggers.

## External clock input and output

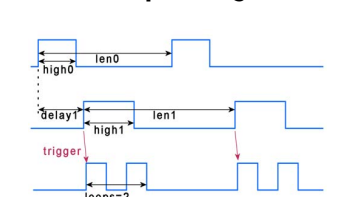
Using a dedicated connector a sampling clock can be fed in from an external system. Additionally it's also possible to output the internally used sampling clock on a separate connector to synchronize external equipment to this clock.

## Reference clock



The option to use a precise external reference clock (normally 10 MHz) is necessary to synchronize the instrument for high-quality measurements with external equipment (like a signal source). It's also possible to enhance the quality of the sampling clock in this way. The driver automatically generates the requested sampling clock from the fed in reference clock.

## Firmware Option Digital Pulse Generator



The digital pulse generator option adds 4 internal independent digital pulse generators with programmable duty cycle, output frequency, delay and number of loops.

These digital pulse generators can be triggered by software, hardware trigger or can trigger

each other allowing to form complex pulse schemes to drive external equipment or experiments. The digital pulse generators can be output on the existing multi-XIO lines (X0, X1, ...), to trigger other pulse generators or can be used to trigger the instrument's main trigger internally. Time resolution of the pulse generator depends on the cards type and the selected sampling rate and can be found in the technical data section.

The pulse generator option is a firmware option and can be later installed on all shipped cards.

## DN2 / DN6 Technical Data



Only figures that are given with a maximum reading or with a tolerance reading are guaranteed specifications. All other figures are typical characteristics that are given for information purposes only. Figures are valid for products stored for at least 2 hours inside the specified operating temperature range, after a 30 minute warm-up, after running an on-board calibration and with proper cooled products. All figures have been measured in lab environment with an environmental temperature between 20°C and 25°C and an altitude of less than 100 m.

### Analog Outputs

Resolution		16 bit	
D/A Interpolation		no interpolation	
Output amplitude	software programmable	653x and 656x:	±1 mV up to ±3 V in 1 mV steps into 50 Ω termination (resulting in ±2 mV up to ±6 V in 2mV steps into high impedance loads)
		653x and 656x	Gain values below ±300 mV into 50 Ω are generated by reduction of digital samples
		654x and 657x:	±1 mV up to ±6 V in 1 mV steps into 50 Ω termination (resulting in ±2 mV up to ±12 V in 2mV steps into high impedance loads)
		654x and 657x:	Gain values below ±300 mV and between ±1000 mV and ±2000 mV into 50 Ω are generated by reduction of digital samples
Output Amplifier Path Selection	automatically by driver	Low Power path:	Selected Gain of ±1 mV to ±960 mV (into 50 Ω)
		High Power path:	653x and 656x: Selected Gain of ±940 mV to ±3 V (into 50 Ω) 654x and 657x: Selected Gain of ±940 mV to ±6 V (into 50 Ω)
Output Amplifier Setting Hysteresis	automatically by driver		940 mV to 960 mV (if output is using low power path it will switch to high power path at 960 mV. If output is using high power path it will switch to low power path at 940 mV)
Output amplifier path switching time			1.2 ms (output disabled while switching)
Output offset Low Power Path	software programmable		±960 mV in 1 mV steps into 50 Ω (±1920 mV in 2 mV steps into 1 MΩ)
Output offset High Power Path	software programmable		653x and 656x: ±3 V in 1 mV steps into 50 Ω (±6V in 2 mV steps into 1 MΩ) 654x and 657x: ±6 V in 1 mV steps into 50 Ω (±12V in 2 mV steps into 1 MΩ)
Filters	software programmable		One of 4 different filters (refer to „Bandwidth and Filters“ section)
DAC Differential non linearity (DNL)	DAC only		±2.0 LSB typical
DAC Integral non linearity (INL)	DAC only		±4.0 LSB typical
Output resistance			50 Ω
Output coupling			DC
Minimum output load			653x and 656x: 0 Ω (short circuit safe by design) 654x and 657x: 50 Ω (short circuit safe by hardware supervisor, outputs will turn off)
Max output swing in 50 Ω			653x and 656x: ±3.0 V (offset + amplitude) 654x and 657x: ±6.0 V (offset + amplitude)
Max output swing in 1 MΩ			653x and 656x: ±6.0 V (offset + amplitude) 654x and 657x: ±12.0 V (offset + amplitude)
Max output current			653x and 656x: ±30 mA 654x and 657x: ±60 mA
Slewrate (using Filter 0)			Low power path (0 to 900 mV): 250 mV/ns 653x and 656x: High power path (0 to 3000 mV): 850 mV/ns 654x and 657x: High power path (0 to 6000 mV): 1700 mV/ns
Rise/Fall time 10% to 90% (using Filter 0)			653x and 656x: ±3 V square wave: 5.3 ns 654x and 657x: ±3 V square wave: 5.4 ns 654x and 657x: ±6 V square wave: 5.4 ns
Crosstalk @ 1 MHz signal ±3 V	1 to 4 ch standard AWG		95 dB (M2p.6530, M2p.6531, M2p.6536, M2p.6560, M2p.6561, M2p.6566)
Crosstalk @ 1 MHz signal ±3 V	8 channel AWG		84 dB (M2p.6533, M2p.6568)
Crosstalk @ 1 MHz signal ±6 V	1 to 4 ch high-voltage AWG		99 dB (M2p.6540, M2p.6541, M2p.6546, M2p.6540, M2p.6541, M2p.6546)
Output accuracy			±1 mV ±0.5 % of programmed output amplitude ±0.1 % of programmed output offset
Calibration	External		External calibration calibrates the on-board references. All calibration constants are stored in non-volatile memory. A yearly external calibration is recommended.

### Trigger

Available trigger modes	software programmable	External, Software, Pulse, Or/And, Delay	
Trigger edge	software programmable	Rising edge, falling edge or both edges	
Trigger pulse width	software programmable	0 to [4G - 1] samples in steps of 1 sample	
Trigger delay	software programmable	0 to [4G - 1] samples in steps of 1 samples	
Trigger hold-off (for Multi, Gate)	software programmable	0 to [4G - 1] samples in steps of 1 samples	
Multi, Gate: re-arming time		< 24 samples (+ programmed hold-off)	
Trigger to Output Delay		73 sample clocks + 7 ns (valid for all modes except SPCSEQ_ENDLOOPONTRIG)	
Memory depth	software programmable	16 up to [installed memory / number of active channels] samples in steps of 8	
Multiple Replay segment size	software programmable	16 up to [installed memory / number of active channels] samples in steps of 8	
External trigger accuracy		1 sample	
External trigger		<b>Ext</b>	<b>X1, X2, X3</b>
External trigger type		Single level comparator	3.3V LVTTTL logic inputs
External trigger impedance	software programmable	50 Ω / 5 kΩ	For electrical specifications refer to „Multi Purpose I/O lines“ section.
External trigger input level		±5 V (5 kΩ), ±2.5 V (50 Ω),	
External trigger over voltage protection		±20 V (5 kΩ), 5 Vrms (50 Ω)	
External trigger sensitivity (minimum required signal swing)		200 mVpp	
External trigger level	software programmable	±5 V in steps of 10 mV	
External trigger bandwidth	50 Ω	DC to 400 MHz	n.a.
	5 kΩ	DC to 300 MHz	DC to 125 MHz
Minimum external trigger pulse width		≥ 2 samples	≥ 2 samples

## Multi Purpose I/O lines

Number of multi purpose output lines		one, named X0
Number of multi purpose input/output lines		three, named X1, X2, X3
Multi Purpose Line		<b>X0</b>
Input: available signal types	software programmable	n.a.
Input: signal levels		n.a.
Input: impedance		n.a.
Input: maximum voltage level		n.a.
Input: maximum bandwidth		n.a.
Output: available signal types	software programmable	Run-, Arm-, Trigger-Output, Marker-Output, Synchronous Digital-Out, Asynchronous Digital-Out, ADC Clock Output,
		<b>X1, X2, X3</b>
		Asynchronous Digital-In, Logic trigger
		3.3 V LVTTTL (Low $\leq 0.8$ V, High $\geq 2.0$ V)
		10 k $\Omega$ to 3.3 V
		-0.5 V to +4.0 V
		125 MHz
		Run-, Arm-, Trigger-Output, Marker-Output, Synchronous Digital-Out, Asynchronous Digital-Out,
Output: impedance		50 $\Omega$
Output: drive strength		Capable of driving 50 $\Omega$ loads, maximum drive strength $\pm 48$ mA
Output: type / signal levels		3.3V LVTTTL, TTL compatible for high impedance loads
Output: update rate (synchronous modes)		sampling clock

## Option M2p.xxxx-PulseGen

Number of internal pulse generators		4
Number of pulse generator output lines		4 (Existing multi-purpose outputs X0 to X3)
Time resolution of pulse generator		Selected Sampling Rate, max is 125 MS/s (8 ns)
Programmable output modes		Single-shot, multiple repetitions on trigger, gated
Programmable trigger sources		Software, Card Trigger, Other Pulse Generator, XIO lines.
Programmable trigger gate		None, ARM state, RUN state
Programmable length (frequency)		2 to 4G samples in steps of 1 (32 bit)
Programmable width (duty cycle)		1 to 4G samples in steps of 1 (32 bit)
Programmable delay		0 to 4G samples in steps of 1 (32 bit)
Programmable loops		0 to 4G samples in steps of 1 (32 bit) - 0 = infinite
Output level of digital pulse generators		Please see section of multi-purpose I/O lines

## Sequence Replay Mode

Number of sequence steps	software programmable	1 up to 4096 (sequence steps can be overloaded at runtime)
Number of memory segments	software programmable	2 up to 64k (segment data can be overloaded at runtime)
Minimum segment size	software programmable	32 samples in steps of 8 samples.
Maximum segment size	software programmable	512 MS / active channels / number of sequence segments (round up to the next power of two)
Loop Count	software programmable	1 to (1M - 1) loops
Sequence Step Commands	software programmable	Loop for #Loops, Next, Loop until Trigger, End Sequence
Special Commands	software programmable	Data Overload at runtime, sequence steps overload at runtime, readout current replayed sequence step
Limitations for synchronized products		Software commands changing the sequence as well as „Loop until trigger“ are not synchronized between cards. This also applies to multiple AWG modules in a generatorNETBOX.

## Clock

Clock Modes	software programmable	internal PLL, external clock, external reference clock, sync
Internal clock range (PLL mode)	software programmable	see „Clock Limitations“ table below
Internal clock accuracy	after warm-up	$\leq \pm 1.0$ ppm (at time of calibration in production)
Internal clock aging		$\leq \pm 0.5$ ppm / year
PLL clock setup granularity (internal reference)		1 Hz
External reference clock range	software programmable	128 kHz up to 125 MHz
Direct external clock to internal clock delay		4.3 ns
Direct external clock range		see „Clock Limitations and Bandwidth“ table below
External clock type		Single level comparator
External clock input level		$\pm 5$ V (5 k $\Omega$ ), $\pm 2.5$ V (50 $\Omega$ ),
External clock input impedance	software programmable	50 $\Omega$ / 5 k $\Omega$
External clock over voltage protection		$\pm 20$ V (5 k $\Omega$ ), 5 Vrms (50 $\Omega$ )
External clock sensitivity (minimum required signal swing)		200 mVpp
External clock level	software programmable	$\pm 5$ V in steps of 1 mV
External clock edge		rising edge used
External reference clock input duty cycle		45% - 55%
Clock output electrical specification		Available via Multi Purpose output X0. Refer to „Multi Purpose I/O lines“ section.
Synchronization clock multiplier „N“ for different clocks on synchronized cards	software programmable	N being a multiplier (1, 2, 3, 4, 5, ... Max) of the card with the currently slowest sampling clock. The card maximum (see „Clock Limitations and Bandwidth“ table below) must not be exceeded.
Channel to channel skew on one card		< 200 ps (typical)
Skew between star-hub synchronized cards		< 100 ps (typical)

## **Connectors**

Analog Inputs or Outputs		9 mm BNC female (one for each single-ended Ch.)	Cable-Type: Cab-9m-xx-xx
Trigger Input		9 mm BNC female	Cable-Type: Cab-9m-xx-xx
Clock/Reference Clock Input		9 mm BNC female	Cable-Type: Cab-9m-xx-xx
Clock Output, Multi-Purpose X0		9 mm BNC female	Cable-Type: Cab-9m-xx-xx
Multi-Purpose I/O X1, X2, X3	Programmable Direction	9 mm BNC female	Cable-Type: Cab-9m-xx-xx

## **Connection Cycles**

All connectors have an expected lifetime as specified below. Please avoid to exceed the specified connection cycles or use connector savers.

BNC connector	500 connection cycles
Power connector	500 connection cycles
LAN connector	750 connection cycles

## **Option digitizerNETBOX/generatorNETBOX embedded server (DN2.xxx-Emb, DN6.xxx-Emb)**

CPU	Intel Quad Core 2 GHz	
System memory	4 GByte RAM	
System data storage	Internal 128 GByte SSD	
Development access	Remote Linux command shell (ssh), no graphical interface (GUI) available	
Accessible Hardware	Full access to Spectrum instruments, LAN, front panel LEDs, RAM, SSD	
Integrated operating system	OpenSuse 12.2 with kernel 4.4.7.	
Internal PCIe connection	DN2.20, DN2.46, DN2.47, DN2.49, DN2.59, DN2.60, DN2.65 DN6.46, DN6.49, DN6.59, DN6.65, DN2.80, DN2.81 DN2.22, DN2.44, DN2.66 DN6.22, DN6.44, DN6.66, DN2.82	PCIe x1, Gen1  PCIe x1, Gen2

## **Ethernet specific details**

LAN Connection		Standard RJ45
LAN Speed		Auto Sensing: GBit Ethernet, 100BASE-T, 10BASE-T
LAN IP address	programmable	DHCP (IPv4) with AutoIP fall-back (169.254.x.y), fixed IP (IPv4)
Sustained Streaming speed		DN2.20, DN2.46, DN2.47, DN2.49, DN2.60 up to 70 MByte/s DN6.46, DN6.49 DN2.59, DN2.65, DN2.22, DN2.44, DN2.66 up to 100 MByte/s DN6.59, DN6.65, DN6.22, DN6.44, DN6.66
Used TCP/UDP Ports		Webserver: 80 mDNS Daemon: 5353 VISA Discovery Protocol: 111, 9757 UPNP Daemon: 1900 Spectrum Remote Server: 1026, 5025

## **AC Power connection details (default configuration)**

Mains AC power supply	Input voltage: 100 to 240 VAC, 50 to 60 Hz
AC power supply connector	IEC 60320-1-C14 (PC standard coupler)
Power supply cord	power cord included for Schuko contact (CEE 7/7)

## **DC 24 V Power supply details (option DN2.xxxx-DC24)**

Input Voltage	18 V to 36 V
Power supply connector	screw terminal
Power supply cord	no cord included

## **Serial connection details (DN2.xxx with hardware ≥ V11)**

Serial connection (RS232)	For diagnostic purposes only. Do not use, unless being instructed by a Spectrum support agent.
---------------------------	--

## **Certification, Compliance, Warranty**

Conformity Declaration	EN 17050-1:2010	General Requirements
EU Directives	2014/30/EU 2014/35/EU 2011/65/EU 2006/1907/EC 2012/19/EU	EMC - Electromagnetic Compatibility LVD - Electrical equipment designed for use within certain voltage limits RoHS - Restriction of the use of certain hazardous substances in electrical and electronic equipment REACH - Registration, Evaluation, Authorisation and Restriction of Chemicals WEEE - Waste from Electrical and Electronic Equipment
Compliance Standards	EN 61010-1: 2010 EN 61187:1994 EN 61326-1:2021 EN 61326-2-1:2021  EN IEC 63000:2018	Safety regulations for electrical measuring, control, regulating and laboratory devices - Part 1: General requirement Electrical and electronic measuring equipment - Documentation Electrical equipment for measurement, control and laboratory use EMC requirements - Part 1: General requirements EMC requirements - Part 2-1: Particular requirements - Test configurations, operational conditions and performance criteria for sensitive test and measurement equipment for EMC unprotected applications Technical documentation for the assessment of electrical and electronic products with respect to the restriction of hazardous substances
Product warranty	5 years starting with the day of delivery	
Software and firmware updates	Life-time, free of charge	

## Clock Limitations

	M2p.653x DNx.653-xx M2p.654x DNx.654-xx DNx.803-xx DNx.813-xx	M2p.656x DNx.656-xx M2p.657x DNx.657-xx DNx.806-xx DNx.816-xx
max internal clock (non-synchronized cards)	40 MS/s	125 MS/s
min internal clock (non-synchronized cards)	1 kS/s	1 kS/s
max internal clock (cards synchronized via star-hub)	40 MS/s	125 MS/s
min internal clock (cards synchronized via star-hub)	128 kS/s	128 kS/s
max direct external clock	40 MS/s	125 MS/s
min direct external clock	DC	DC
min direct external clock LOW time	4 ns	4 ns
min direct external clock HIGH time	4 ns	4 ns

## Bandwidth and Filters

	Filter	-3dB bandwidth	Filter characteristic
Analog bandwidth does not include Sinc response of DAC	Filter 0	70 MHz	third-order Butterworth
	Filter 1	20 MHz	fifth-order Butterworth
	Filter 2	5 MHz	fourth-order Bessel
	Filter 3	1 MHz	fourth-order Bessel

## Dynamic Parameters

M2p.653x/DNx.653-xx/DNx.803-xx				
Test - Samplerate	40 MS/s		40 MS/s	
Output Frequency	800 kHz		4 MHz	
Output Level in 50 Ω	±900mV	±3000mV	±900mV	±3000mV
Used Filter	1 MHz		5 MHz	
NSD (typ)	-142 dBm/Hz	-132 dBm/Hz	-142 dBm/Hz	-132 dBm/Hz
SNR (typ)	90.7 dB	91.1 dB	83.7 dB	84.1 dB
THD (typ)	-74.0 dB	-74.0 dB	-70.5 dB	-70.5 dB
SINAD (typ)	73.9 dB	73.9 dB	69.8 dB	69.8 dB
SFDR (typ), excl harm.	97.0 dB	95.0 dB	88.0 dB	88.0 dB
ENOB (SINAD)	12.0	12.0	11.3	11.3
ENOB (SNR)	14.7	14.8	13.5	13.6

M2p.654x/DNx.654-xx/DNx.813-xx				
Test - Samplerate	40 MS/s		40 MS/s	
Output Frequency	800 kHz		4 MHz	
Output Level in 50 Ω	±900mV	±6000mV	±900mV	±6000mV
Used Filter	1 MHz		5 MHz	
NSD (typ)	-138 dBm/Hz	-129 dBm/Hz	-142 dBm/Hz	-126 dBm/Hz
SNR (typ)	86.7 dB	88.1 dB	83.7 dB	84.2 dB
THD (typ)	-74.0 dB	-74.0 dB	-74.0 dB	-74.0 dB
SINAD (typ)	73.8 dB	73.8 dB	73.6 dB	73.6 dB
SFDR (typ), excl harm.				
ENOB (SINAD)	12.0	12.0	11.9	11.9
ENOB (SNR)	14.1	14.3	13.6	13.7

M2p.656x/DNx.656-xx/DNx.806-xx						
Test - Samplerate	125 MS/s		125 MS/s		125 MS/s	
Output Frequency	800 kHz		4 MHz		16 MHz	
Used Filter	1 MHz		5 MHz		20 MHz	
Output Level in 50 Ω	±900mV	±3000mV	±900mV	±3000mV	±900mV	±3000mV
NSD (typ)	-142 dBm/Hz	-132 dBm/Hz	-142 dBm/Hz	-132 dBm/Hz	-142 dBm/Hz	-132 dBm/Hz
SNR (typ)	90.7 dB	91.1 dB	83.7 dB	84.1 dB	77.7 dB	78.1 dB
THD (typ)	-74.0 dB	-74.0 dB	-70.5 dB	-70.5 dB	-66.0 dB	-61.9 dB
SINAD (typ)	73.9 dB	73.9 dB	69.8 dB	69.8 dB	65.7 dB	60.9 dB
SFDR (typ), excl harm.	97.0 dB	95.0 dB	88.0 dB	88.0 dB	90.0 dB	89.0 dB
ENOB (SINAD)	12.0	12.0	11.3	11.3	10.6	9.8
ENOB (SNR)	14.7	14.8	13.5	13.6	12.5	12.6

M2p.657x/DNx.657-xx/DNx.816-xx						
Test - Samplerate	125 MS/s		125 MS/s		125 MS/s	
Output Frequency	800 kHz		4 MHz		16 MHz	
Used Filter	1 MHz		5 MHz		20 MHz	
Output Level in 50 Ω	±900mV	±6000mV	±900mV	±6000mV	±900mV	±6000mV

	<b>M2p.657x/DNx.657-xx/DNx.816-xx</b>					
NSD (typ)	-138 dBm/Hz	-129 dBm/Hz	-142 dBm/Hz	-126 dBm/Hz	-142 dBm/Hz	-127 dBm/Hz
SNR (typ)	86.7 dB	88.1 dB	83.7 dB	84.2 dB	77.7 dB	79.1 dB
THD (typ)	-74.0 dB	-74.0 dB	-74.0 dB	-74.0 dB	-70.5 dB	-63.1 dB
SINAD (typ)	73.8 dB	73.8 dB	73.6 dB	73.6 dB	69.7 dB	63.0 dB
SFDR (typ), excl harm.						
ENOB (SINAD)	12.0	12.0	11.9	11.9	11.3	10.2
ENOB (SNR)	14.1	14.3	13.6	13.7	12.6	12.8

THD and SFDR are measured at the given output level and 50 Ohm termination with a high resolution M3i.4860/M4i.4450-x8 data acquisition card and are calculated from the spectrum. Noise Spectral Density is measured with built-in calculation from an HP E4401B Spectrum Analyzer. All available D/A channels are activated for the tests. SNR and SFDR figures may differ depending on the quality of the used PC. NSD = Noise Spectral Density, THD = Total Harmonic Distortion, SFDR = Spurious Free Dynamic Range.



## DN6 specific Technical Data

### Environmental and Physical Details DN6.xxx

Dimension of Chassis without connectors or bumpers	L x W x H	464 mm x 431 mm x 131 mm
Dimension of Chassis with 19" rack mount option	L x W x H	464 mm x TBD mm x 131 mm (3U height)
Weight (3 internal acquisition/generation modules)		12.1 kg, with rack mount kit: 12.7 kg
Weight (4 internal acquisition/generation modules)		12.5 kg, with rack mount kit: 13.2 kg
Weight (5 internal acquisition/generation modules)		12.9 kg, with rack mount kit: 13.6 kg
Weight (6 internal acquisition/generation modules)		13.4 kg, with rack mount kit: 14.0 kg
Warm up time		10 minutes
Operating temperature		0°C to 40°C
Storage temperature		-10°C to 70°C
Humidity		10% to 90%
Dimension of packing (single DN6)	L x W x H	580 mm x 580 mm x 280 mm
Volume weight of Packing (single DN6)		19.0 kg

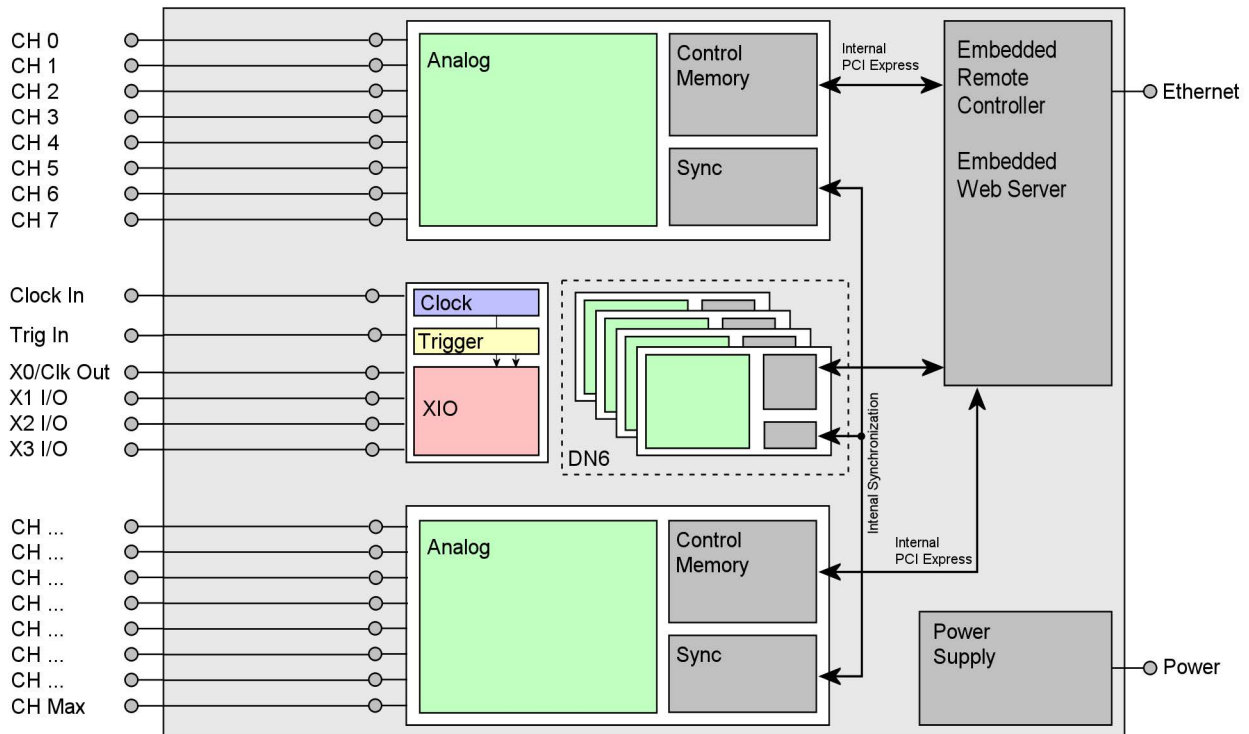
### Power Consumption

	230 VAC	
24 channel versions, standard memory	TBD	TBD
32 channel versions, standard memory	TBD	TBD
40 channel versions, standard memory	TBD	TBD
48 channel versions, standard memory	TBD	TBD

### MTBF

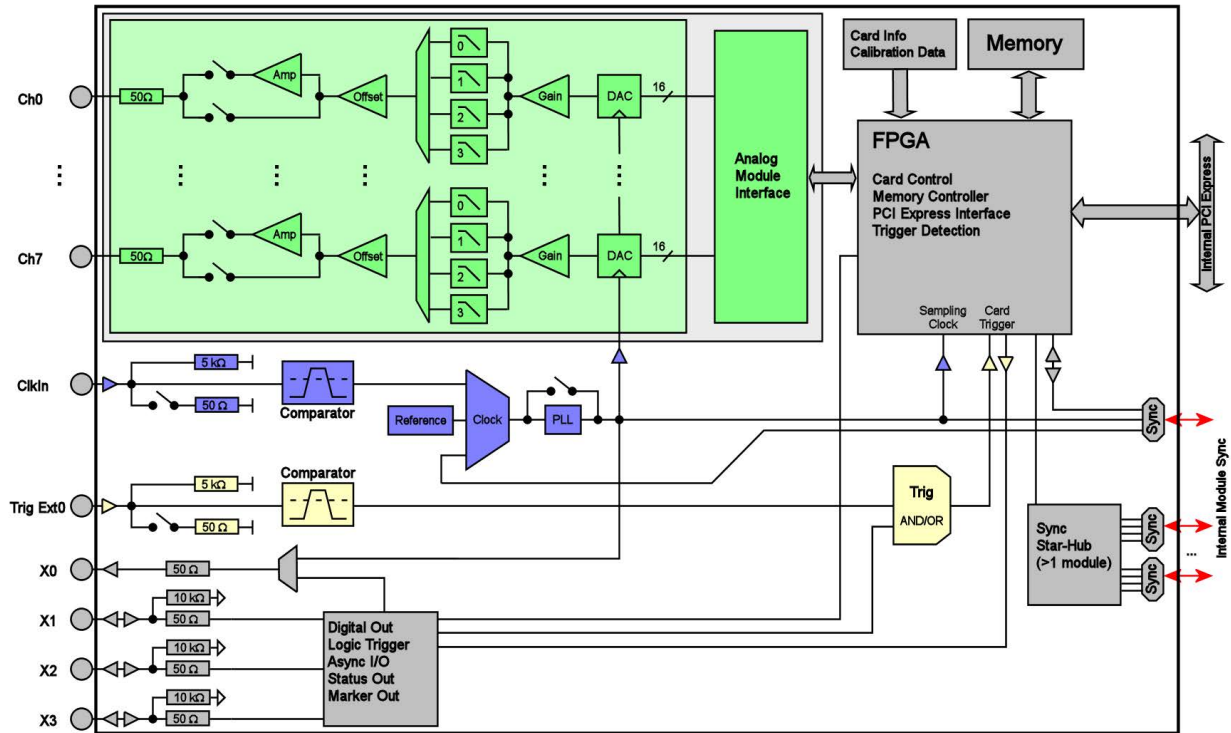
MTBF	100000 hours
------	--------------

### Block diagram of generatorNETBOX DN6



- The number of maximum channels and internal AWG modules and existence of a synchronization Star-Hub is model dependent.

# Block diagram of generatorNETBOX module DN6.65x



## Order Information

The generatorNETBOX is equipped with a large internal memory and supports standard replay, FIFO replay (streaming), Multiple Replay, Gated Replay, Continuous Replay (Loop), Single-Restart as well as Sequence. Operating system drivers for Windows/Linux 32 bit and 64 bit, drivers and examples for C/C++, IVI (Function Generator class), LabVIEW (Windows), MATLAB (Windows and Linux), .NET, Delphi, Java, Python, Julia and a Professional license of the oscilloscope software SBench 6 are included.

The system is delivered with a connection cable meeting your countries power connection. Additional power connections with other standards are available as option.

### generatorNETBOX DN6 - Ethernet/LXI Interface

Order no.	Resolution	Output Channels	Memory	Output@50Ω	Output@1MΩ
DN6.653-24	16 Bit	24 channels 40 MS/s	3 x 512 MSamples	±3V	±6V
DN6.653-32	16 Bit	32 channels 40 MS/s	4 x 512 MSamples	±3V	±6V
DN6.653-40	16 Bit	40 channels 40 MS/s	5 x 512 MSamples	±3V	±6V
DN6.653-48	16 Bit	48 channels 40 MS/s	6 x 512 MSamples	±3V	±6V
DN6.656-24	16 Bit	12 channels 125 MS/s 24 channels 80 MS/s	3 x 512 MSamples	±3V	±6V
DN6.656-32	16 Bit	16 channels 125 MS/s 32 channels 80 MS/s	4 x 512 MSamples	±3V	±6V
DN6.656-40	16 Bit	20 channels 125 MS/s 40 channels 80 MS/s	5 x 512 MSamples	±3V	±6V
DN6.656-48	16 Bit	24 channels 125 MS/s 48 channels 80 MS/s	6 x 512 MSamples	±3V	±6V

## Options

Order no.	Option
DN6.xxx-Rack	19" rack mounting set for self mounting
DN6.xxx-Emb	Extension to Embedded Server: CPU, more memory, SSD. Access via remote Linux secure shell (ssh)
DN6.xxx-BTPWR	Boot on Power On: the digitizerNETBOX/generatorNETBOX/hybridNETBOX automatically boots if power is switched on.

## Firmware Options

Order no.	Option
M2p.xxxx-PulseGen	Firmware Option: adds 4 freely programmable digital pulse generators that use the XIO lines for output (later installation by firmware - upgrade available)

## BNC Cables

The standard adapter cables are based on RG174 cables and have a nominal attenuation of 0.3 dB/m at 100 MHz.

for Connections	Connection	Length	to SMA male	to SMA female	to BNC male	to SMB female
All	BNC male	80 cm	Cab-3mA-9m-80	Cab-3fA-9m-80	Cab-9m-9m-80	Cab-3f-9m-80
All	BNC male	200 cm	Cab-3mA-9m-200	Cab-3fA-9m-200	Cab-9m-9m-200	Cab-3f-9m-200

### Technical changes and printing errors possible

SBench, digitizerNETBOX, generatorNETBOX and hybridNETBOX are registered trademarks of Spectrum Instrumentation GmbH. Microsoft, Visual C++, Windows, Windows 98, Windows NT, Window 2000, Windows XP, Windows Vista, Windows 7, Windows 8, Windows 10 and Windows 11 are trademarks/registered trademarks of Microsoft Corporation. LabVIEW, DASyLab, Diadem and LabWindows/CVI are trademarks/registered trademarks of National Instruments Corporation. MATLAB is a trademark/registered trademark of The Mathworks, Inc. Delphi and C++ Builder are trademarks/registered trademarks of Embarcadero Technologies, Inc. IVI is a registered trademark of the IVI Foundation. Oracle and Java are registered trademarks of Oracle and/or its affiliates. Python is a trademark/registered trademark of Python Software Foundation. Julia is a trademark/registered trademark of Julia Computing, Inc. PCIe, PCI Express and PCI-X and PCI-SIG are trademarks of PCI-SIG. LXI is a registered trademark of the LXI Consortium. PICMG and CompactPCI are trademarks of the PCI Industrial Computation Manufacturers Group. Intel and Intel Core i3, Core i5, Core i7, Core i9 and Xeon are trademarks and/or registered trademarks of Intel Corporation. AMD, Opteron, Sempron, Phenom, FX, Ryzen and EPYC are trademarks and/or registered trademarks of Advanced Micro Devices. Arm is a trademark or registered trademark of Arm Limited [or its subsidiaries]. NVIDIA, CUDA, GeForce, Quadro, Tesla and Jetson are trademarks/registered trademarks of NVIDIA Corporation.